

HF 360

DALI-2 APC - in-ceiling installation
 EAN 4007841 079529
 Article number 079529



high frequency sensor 360°



max. Ø 12 m



IP20



ideal 2,5 - 3,5 m



indoor sensor

iQ

iQ-mode

Teach

Teach mode



energy saving

5 years

manufacturer's warranty steinel-professional.de/garantie



CE

Function description

Doesn't miss a thing. HF-presence detector Presence Control PRO HF 360 DALI-2 Application Controller for indoors, ideal for WCs with toilet cubicles, changing rooms, stairwells, multi-storey car parks, kitchens, installation height up to 3.5 m, with digital DALI-2 Application Controller interface for controlling 2 lighting channels, 1 – 12 m reach, reach is electronically adjustable and can be limited in two directions, detection regardless of temperature, HF-sensor technology also detects movement through glass, wood and stud walls.

Technical specifications

Dimensions (L x W x H)	112 x 120 x 120 mm	HF-system	5,8 GHz
Manufacturer's Warranty	5 years	Detection	also through glass, wood and stud walls
Settings via	Remote control, DIP switches, Potentiometers, Smart Remote	Detection angle	360 °
With remote control	No	Angle of aperture	140 °
Version	DALI-2 APC - in-ceiling installation	Sneak-by guard	Yes
PU1, EAN	4007841079529	Capability of masking out individual segments	Yes
Type	Presence detector	Electronic scalability	Yes
Application, place	Indoors	Mechanical scalability	No
Application, room	function room / ancillary room, kitchenette, stairwell, WC / washroom, Indoors	Reach, radial	Ø 12 m (113 m ²)
Colour	white	Reach, tangential	Ø 12 m (113 m ²)
Colour, RAL	9010	Transmitter power	< 1 mW
Includes corner wall mount	No	Functions	Normal / test mode, Semi-/fully automatic, Pushbutton / switch mode, Manual ON / ON-OFF, Constant-lighting control ON-OFF
Installation site	ceiling	Twilight setting	10 – 1000 lx
Installation	In-ceiling installation, Ceiling		

HF 360

DALI-2 APC - in-ceiling installation
EAN 4007841 079529
Article number 079529



Technical specifications

IP-rating	IP20	Time setting	30 s – 30 Min.
Ambient temperature	from -25 up to 55 °C	Basic light level function	Yes
Material	Plastic	Basic light level function time	1-60 min, all night
Mains power supply	230 V / 50 – 60 Hz	Main light adjustable	50 - 100 %
Steuerausgang, Dali	Broadcast 2x12 electronic ballasts	Twilight setting TEACH	Yes
With bus coupling	Yes	Constant-lighting control	Yes
Technology, sensors	High frequency, Light sensor	Interconnection	Yes
Mounting height	2,50 – 3,50 m	Type of interconnection	Master/slave
Mounting height max.	3,50 m	Interconnection via	Cable
Optimum mounting height	2,8 m	Product category	Presence detector

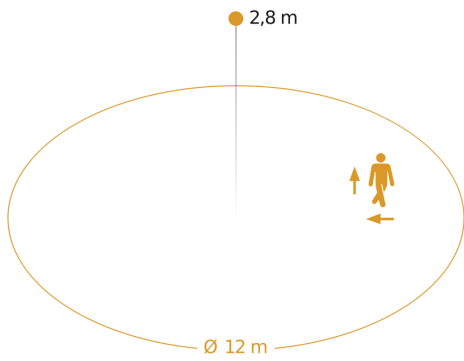
Accessories

EAN 4007841 592806	User remote control RC5
EAN 4007841 009151	Remote control Smart Remote
EAN 4007841 003036	Control PRO guard cage
EAN 4007841 559410	Service remote control RC8

HF 360

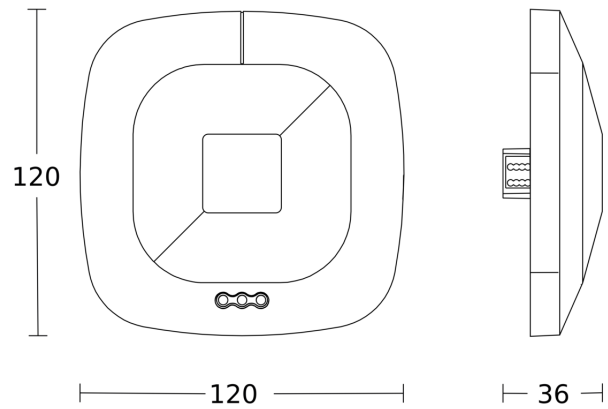
DALI-2 APC - in-ceiling installation
 EAN 4007841 079529
 Article number 079529

Detection Zone

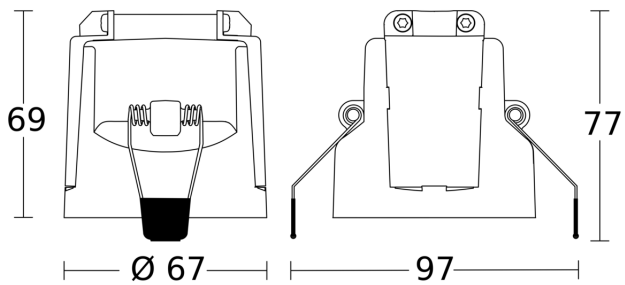


Possible mounting height: 2,50 m - 3,50 m
 Orange: radial and tangential

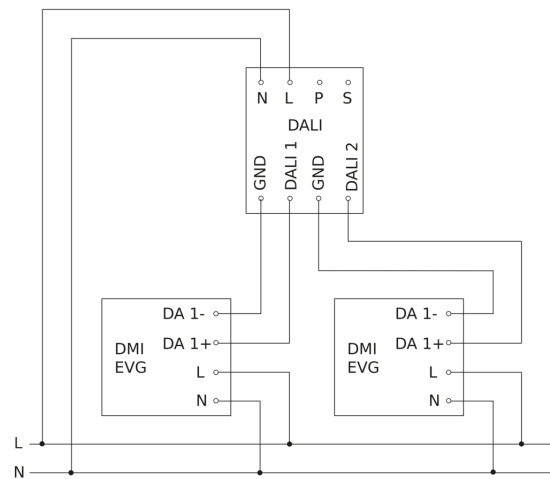
Dimension Drawing 1



Dimension Drawing 2



Master circuit diagram



HF 360

DALI-2 APC - in-ceiling installation
EAN 4007841 079529
Article number 079529



Master/slave interconnection circuit diagram

